

Manuals and additional
information available at
www.startco.ca

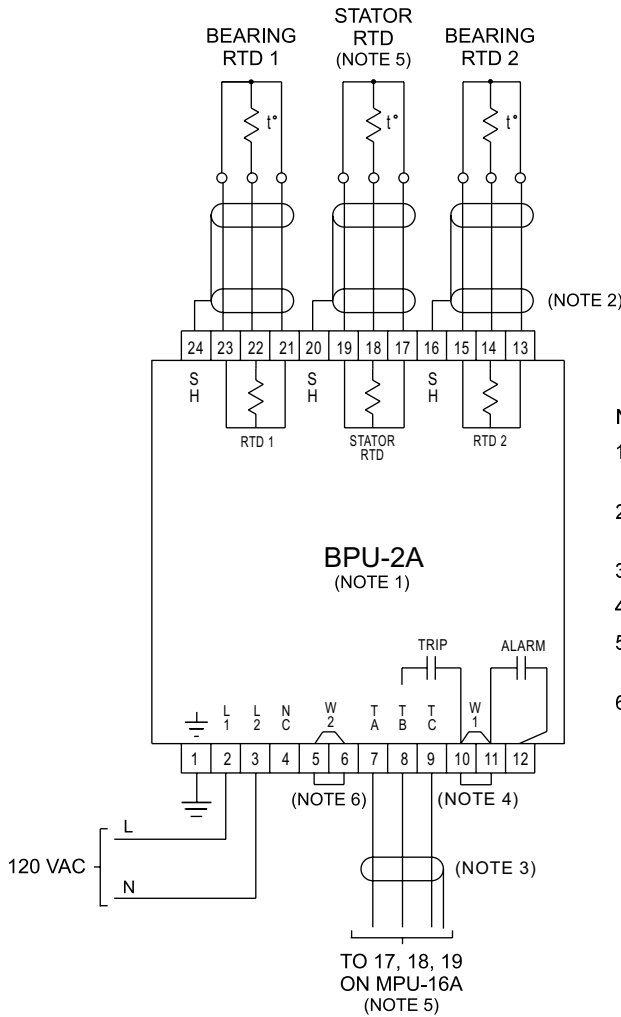
BPU-2A

BEARING PROTECTION UNIT

The BPU-2A is a microprocessor-based bearing protection unit. Trip and alarm set points and LED indication are provided for two bearing RTD's. The BPU-2A can be user configured for 100-ohm platinum (PT100), 100-ohm nickel (NI100), or 120-ohm nickel (NI120) RTD's. The BPU-2A can trip and alarm on bearing temperature and on the temperature differential between two bearings. Indication is provided for open or shorted RTD's.

The BPU-2A was designed to add bearing-temperature protection to the MPU-16A Motor Protection Unit; however, it can be used as a stand-alone unit to monitor two bearing RTD's. In the stand-alone configuration, two Form A output contacts can be user configured for fail-safe or non-fail-safe operation.

TYPICAL APPLICATION



NOTES:

1. SURFACE-MOUNT CONFIGURATION SHOWN, FRONT VIEW.
2. GROUND RTD CABLE SHIELDS AT BPU-2A ONLY.
3. GROUND CABLE SHIELD AT MPU-16A ONLY.
4. REMOVE W1 FOR STAND-ALONE OPERATION.
5. DO NOT CONNECT FOR STAND-ALONE OPERATION.
6. REMOVE W2 FOR LATCHING OPERATION.

TECHNICAL SPECIFICATIONS

Supply:
120 or 240 Vac (+10%, -30%), 50/60 Hz, 5 VA

Dimensions:
Height 96 mm (3.8")
Width 96 mm (3.8")
Depth 101 mm (4.0")

Output Relays:
Contact Rating 1 mA to 8 A Resistive,
250 Vac or 30 Vdc.
0.125 hp @ 120/240 Vac.
Contact Configuration Form A
Operating Mode Fail Safe or Non Fail Safe

Bearing-RTD Inputs:
RTD Type 100-Ω Platinum (DIN43760),
100-Ω Nickel, or
120-Ω Nickel
Lead Compensation 25 Ω Max
Temperature Range 60°C to 120°C
Differential Range 10° to 20°
Accuracy ± 3°C

Stator-RTD Input:
RTD Type 100-Ω Platinum (DIN43760),
100-Ω Nickel, or
120-Ω Nickel

Environment:
Operating Temperature -40°C to 60°C
Storage Temperature -55°C to 80°C

ORDERING INFORMATION

BPU-2A---00

Mount: _____ Supply Voltage:

P Panel	12	120 Vac, 50/60 Hz
S Surface	24	240 Vac, 50/60 Hz

Specifications are subject to change without notice. Startco Engineering Ltd. is not liable for contingent or consequential damages, or for expenses sustained as a result of incorrect application, incorrect adjustment, or a malfunction.

Copyright © 1999.
Printed in Canada.
Publication: BPU-2A-D
Revised: 9904 Printed: 9904



406 Jessop Avenue, Saskatoon, Saskatchewan, Canada S7N 2S5
Phone: (306) 373-5505 Fax: (306) 374-2245 www.startco.ca