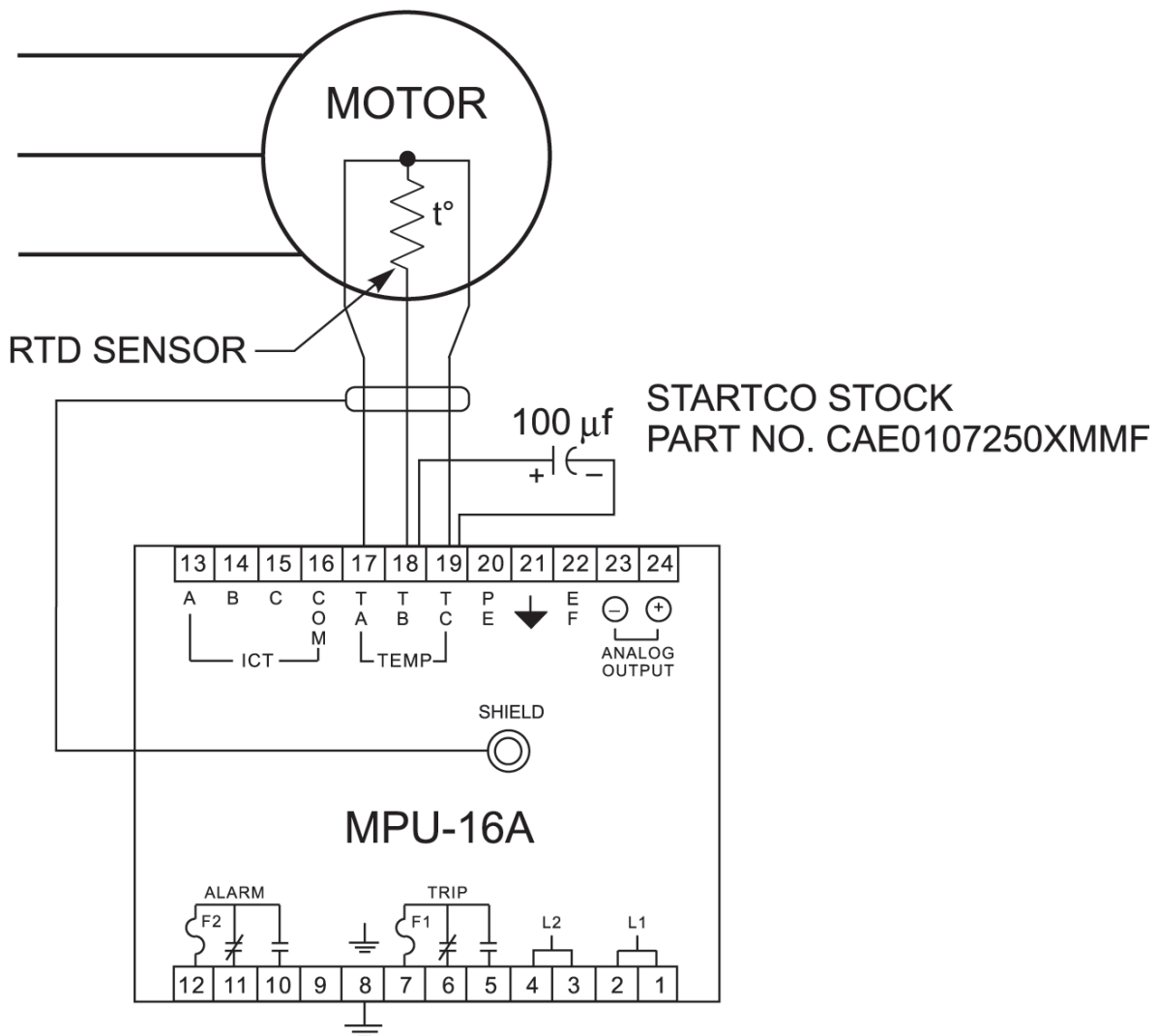




TECHNICAL INFORMATION

TITLE: RTD CONNECTION FOR NOISY ENVIRONMENTS

The RTD-to-MPU connection should follow standard wiring practices as outlined in the MPU-16A manual. If the temperature reading fluctuates, it is probably due to noise being coupled into unshielded sensor leads. For MPU-16A's prior to hardware revision 12, a filter capacitor connected as shown below will eliminate meter fluctuation. Subsequent to revision 12, additional filtering has been added to the temperature input eliminating the need for external filtering.



DATE	REV	AUTHOR	DOCUMENT LOCATION	PAGE
1998-Feb-24	2	MV	http://www.startco.ca/library/techinfo/section4/4.11.pdf	1 of 1