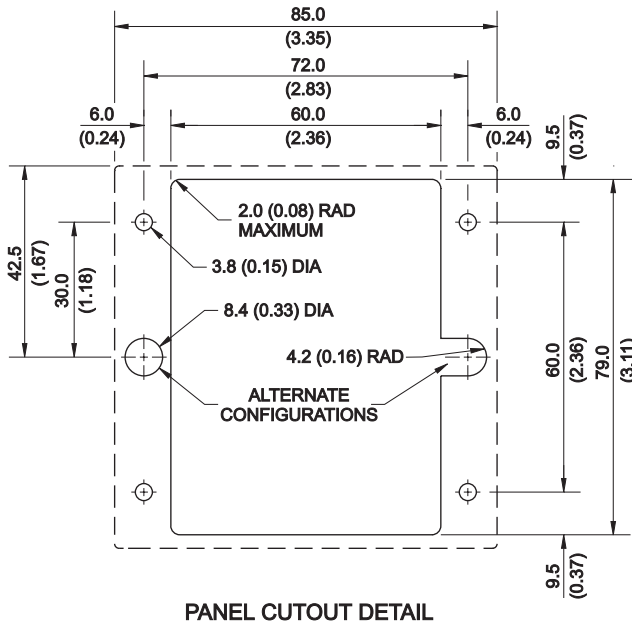
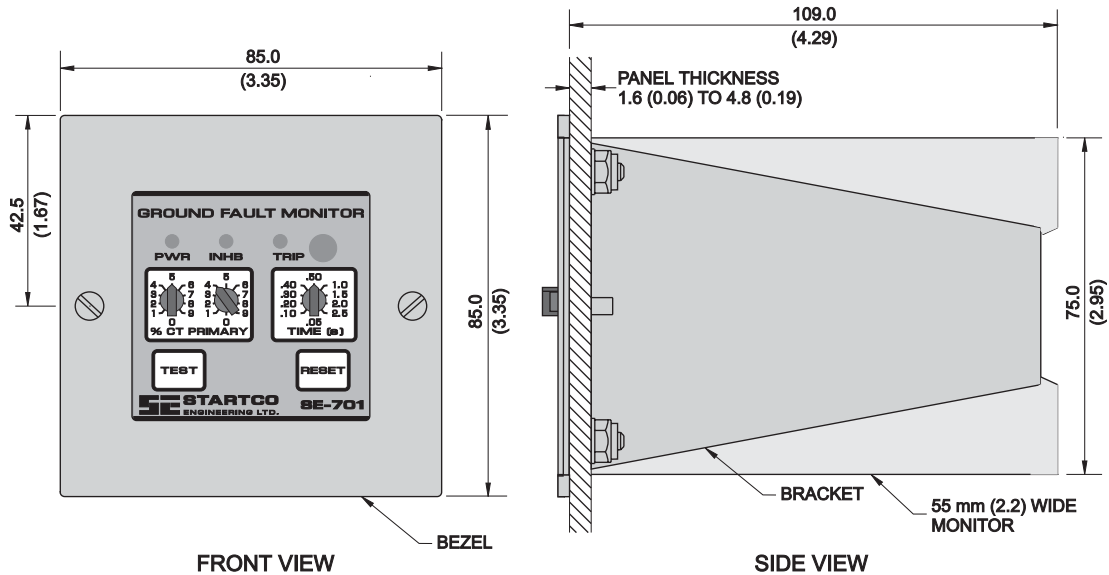




12.6

TECHNICAL INFORMATION

TITLE: PMA-55 ADAPTER FOR SE-701, SE-703, SE-704, OR SE-601



INSTALLATION INSTRUCTIONS:

1. REMOVE BEZEL AND LATCH MONITOR ON BRACKET.
2. INSERT BRACKET THROUGH FRONT OF PANEL CUTOUT AND SECURE WITH FLAT WASHERS AND LOCKNUTS PROVIDED.
3. CONNECT WIRING TO TERMINALS.
4. INSTALL BEZEL USING 6-32 x 0.31 SCREWS PROVIDED.

NOTE:

1. DIMENSIONS IN MILLIMETRES (INCHES).
2. GROUND-FAULT MONITOR MUST BE ORDERED SEPARATELY WITH FULL PART NUMBER.

DATE	REV	AUTHOR	DOCUMENT LOCATION	PAGE
2002-Sep-27	1	JG	http://www.startco.ca/library/techinfo/section12/12.6.pdf	1 of 1