

STARTCO® Newsletter

Fall 2005

www.startco.ca

Sensitive Ground-Fault Protection

The SE-502 Ground-Fault Ground-Continuity Detector, when used with an appropriate circuit interrupter, provides Class A GFCI trip times and levels for 120/208 V three- and four-wire systems. This revolutionary product detects faults as low as 5 mA, limits ground-fault current to 100 mA, and continuously monitors the system's connection to ground. The SE-502 was originally designed to provide personnel protection on portable generators used in the entertainment industry. The SE-502 meets Section 10-1102 of the soon-to-be-released 2006 Canadian Electrical Code.



Did You Know?

Multiple Sources, Single Neutral-Grounding-Resistor (NGR)

When designing a system with multiple power sources, it is best to ground the system with a single NGR as opposed to one NGR per source. When multiple NGR's are used, prospective ground-fault current changes when a source is added or removed. Multiple grounding resistors make it difficult to control the prospective ground-fault current, difficult to select a ground-fault pickup level, and impossible to monitor the integrity of an individual NGR.

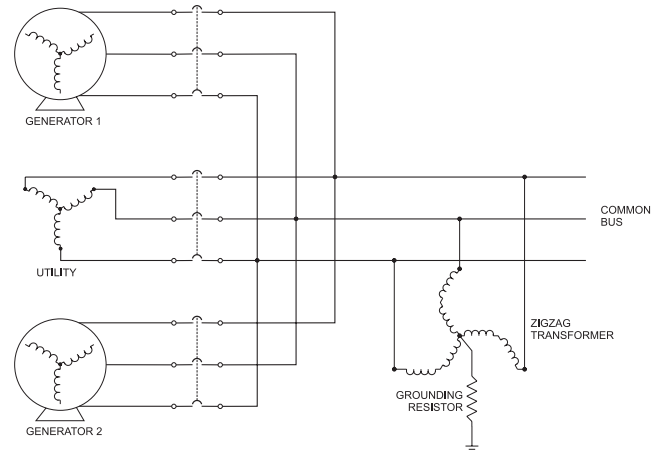
When one NGR is used to ground the system, prospective ground-fault current is consistent, it is simple to select the ground-fault pickup level, and reliable NGR monitoring is possible.

New Sensing Resistor Upgrade

The revision 2 ER-15KV, ER-25KV, and ER-35KV Sensing Resistors, used with Startco's SE-325 and SE-330 Neutral-Grounding-Resistor Monitors, now include a moisture-resistant terminal enclosure and are grey. The new grey material provides superior UV resistance.



[Click here for additional information on outdoor applications.](#)



Introducing The Virtual MPU-32

The Virtual MPU-32 is an interactive display that allows the user to explore the features of the real MPU-32. The Virtual MPU-32 can be used for training, remote assistance, and exploring the menu structure of the MPU-32. Now available at www.startco.ca/mpu32.html.

New Distributor

Startco would like to welcome its newest distributor, North Valley Distributing, located in Red Bluff and Redding, CA.

STARTCO

30th Anniversary

1975-2005

STARTCO® Newsletter

New P&B Golds Retrofit

Customers using P&B Golds relays with drawout case type 2D (406 mm) now have the option of upgrading their relays to the microprocessor-based MPU-32. The upgrade will pay for itself in a short period of time by eliminating the costly annual P&B Golds calibration. The Startco MPU-32 retrofit package does not require on-site wiring changes. Custom hardware is used to mount the MPU-32 to the customer-supplied drawout frame. Program the MPU-32 before it is installed and the change-out time is only a few minutes.



Technical Information Updates

- 3.10 **NEW!** SE-VS1002K Voltage Scaler for the SE-325
- 3.11 **NEW!** SE-VS50010K Voltage Scaler
- 3.12 **NEW!** SE-330 Neutral-Grounding-Resistor Monitor Settings
- 6.5 **NEW!** SE-134C Ground-Fault Ground-Check Monitor Guideform Specifications
- 11.8 **NEW!** Ground-Fault Current Transformer Location
- 12.1 PMA Rough Opening and P4A Adapter for MPU-32
- 12.2 PMA-1 Multilin 169-269 Adapter for MPU-32
- 12.3 PMA-2 Allen-Bradley 1406 Adapter for MPU-32
- 12.5 PMA-4 Multilin 139-239 Adapter for MPU-32
- 12.8 PMA-7 GE Lodtrak II Adapter Plate for MPU-32
- 12.10 MPU Drawout Retrofits for GE Lodtrak, P&B Gold, etc.
- 12.11 PMA-10 GE Lodtrak III Adapter for MPU-32
- 12.12 PMA-9 GE S1 Case Adapter for MPU-32
- 12.13 PMA-13 GE 269+ Adapter for MPS
- 16.1 **NEW!** Replacing an MPU-16A with an MPU-32

Startco in the 2006 Olympics

Startco will be on the ice at the 2006 Winter Olympics in Torino, Italy. The "Eye On the Hog" Hog-Line-Violation-Detection System was recommended for the curling competition by the World Curling Federation. Our thanks go to the University of Saskatchewan, Canadian Curling Association and the World Curling Federation for helping to make this possible.



Startco Engineering Ltd.
406 Jessop Avenue
Saskatoon, SK
Canada S7N 2S5

Phone: 306-373-5505
Fax: 306-374-2245
www.startco.ca
info@startco.ca

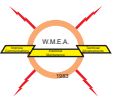
Produced in Canada

Upcoming Events

IEEE Safety Workshop
October 24-26, 2005
Edmonton, AB



WMEA
November 16-18, 2005
Denver, CO



Power-Gen
December 6-8, 2005
Las Vegas, NV



EGC
January 24-26, 2006
Bismarck, ND



IEEE Safety Workshop
February 7-10, 2006
Philadelphia, PA



UME
April 12-14, 2006
Minneapolis, MN



CUEE
May 16-17, 2006
Toronto, ON



WMEA
June 7-9, 2006
Salt Lake City, UT

