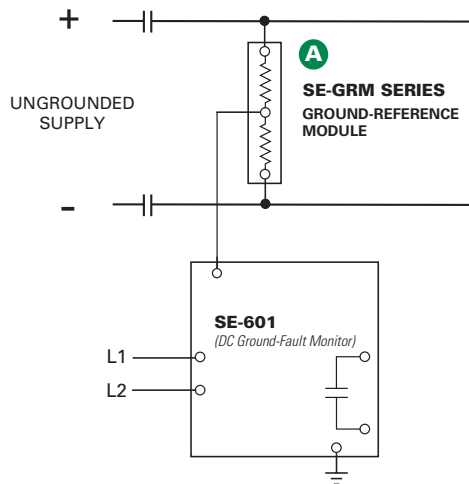


SE-601 SERIES

DC Ground-Fault Monitor



Simplified Circuit Diagram



Ordering Information

CATALOG/SYSTEM NUMBER	CONTROL POWER	
SE-601-OD	24 Vdc	
SE-601-OT	48 Vdc	
SE-601-OU	120/240 Vac/Vdc	
ACCESSORIES	REQUIREMENT	PAGE
SE-GRM SERIES	Required	50
PGA-0500	Optional	53
PMA-55	Optional	55
PMA-60	Optional	55

Note: For optional conformal coating please consult factory.

Description

The SE-601 is a microprocessor-based ground-fault relay for ungrounded dc systems. It provides sensitive ground-fault protection without the problems associated with nuisance tripping. Ground-fault current is sensed using an SE-GRM Series Ground-Reference Module—a resistor network that limits ground-fault current to 25 mA. The SE-601 is used on ungrounded dc systems ranging from industrial 24-Vdc control circuits to 1000-Vdc solar and transportation systems.

Features & Benefits

FEATURES	BENEFITS
Adjustable Pickup (1-20 mA)	Ten settings provide a wide range of low-level protection
Adjustable Time Delay (50 ms-2.5 s)	Adjustable trip delay allows quick protection or delayed response
Output Contacts	Form A and Form B output contacts for operation of separate annunciation and trip circuits
Analogue Output (0-5 V)	Provides means for connecting to a meter (PGA-0500) or a control system
Non-Volatile Trip Memory	Retains trip state when de-energized to simplify troubleshooting
Selectable Contact Operating Mode	Selectable fail-safe or non-fail-safe operating modes allow connection to shunt or undervoltage breaker coil
Microprocessor Based	No calibration required saves on maintenance cost

Accessories

A  **SE-GRM Series Ground-Reference Module**
Required accessory, used to connect the SE-601 DC Ground-Fault Monitor to the dc bus.

B  **PGA-0500 Analog % Current Meter**
Optional panel-mounted analog meter displays ground-fault current as a percentage of 22 mA.

For detailed wiring diagram, see page 78.

Specifications

IEEE Device Numbers	DC Overcurrent Relay (76G)
Input Voltage	See ordering information
Dimensions	H 75 mm (3.0"); W 55 mm (2.2"); D 115 mm (4.5")
Trip Level Settings	1-20 mA
Trip Time Settings	0.05 - 2.5 s
Output Contacts	Isolated Form A and Form B
Contact Operating Mode	Selectable fail-safe or non-fail-safe
Test Button	Local
Reset Button	Local and remote
Analogue Output	0-5 V
Conformally Coated	Consult factory
Warranty	5 years
Mounting	DIN, Surface (standard) Panel (with PMA-55 or PMA-60 adapter)