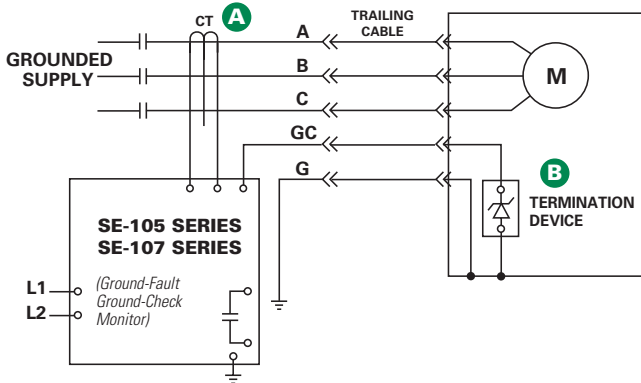


SE-105, SE-107 SERIES

Ground-Fault Ground-Check Monitor



Simplified Circuit Diagram



Ordering Information

CATALOG/ SYSTEM NUMBER	CONTROL POWER
SE-105	120 Vac
SE-105D	120 Vac/Vdc
SE-105E	240 Vac
SE-107	120 Vac
SE-107D	120 Vac/Vdc
SE-107E	240 Vac

Consult manual for additional ordering options.

ACCESSORIES	REQUIREMENT	PAGE
CT200 Series	Required	49
1N5339B	Included	55
SE-TA6, SE-TA6-SM	Optional	55
RK-102, RK-105, RK-105I	Optional	52
RK-13	Optional	56

Description

The SE-105/SE-107 is a combination ground-wire monitor and ground-fault relay for resistance-grounded systems. It continuously monitors the integrity of the ground wire to protect portable equipment from hazardous voltages caused by ground faults. The SE-105/SE-107 is an excellent choice for trailing cables 5 kV and under in underground mining applications. For higher voltage applications, see the SE-134C/SE-135.

Features & Benefits

FEATURES	BENEFITS
Adjustable Pickup (0.5, 2.0, 4.0 A)	Unit can be used on a wide variety of trailing cable applications
Adjustable Time Delay (0.1-2.0 s)	Adjustable trip delay for quick protection and system coordination
Harmonic Filter	Prevents false operation
Zener-Characteristic Termination Assembly	Provides reliable ground-check loop verification
Fail-Safe Ground-Check Circuit	Ensures ground-check circuit remains safe even in the event of equipment failure
Conformal Coating	Additional coating protects circuit boards against harsh environment
SE-105: Selectable UV- or Shunt-Trip Mode	Provides flexibility for different applications
SE-107: UV-Trip Mode only	Eliminates chance of unauthorized change to trip circuit

Accessories

- A** **CT200 Series Current Transformer**
Required CT detects ground-fault current.
- B** **1N5339B Termination Device**
5 W axial-lead ground-check termination; included with SE-105/SE-107.
- SE-TA6 Termination Assembly**
Optional termination assembly with convenient terminals and mounting holes
- SE-TA6-SM Stud-Mount Termination Assembly**
Optional 50 W ground-check termination that is robust and compact for submersible pumps. Wire lead simplifies installation.

For detailed wiring diagram, see page 82.

Specifications

IEEE Device Numbers	Checking or Interlocking Relay (3GC), Ground Fault (50G/N, 51G/N)
Input Voltage	See ordering information
Dimensions	H 150 mm (5.9"); W 109 mm (4.3"); D 100 mm (4.0")
Trip Level Settings	0.5, 2.0, 4.0 A
Trip Time Settings	0.1-1.0 s
Contact Operating Mode	Selectable fail-safe or non-fail-safe (SE-105) Fail-safe only (SE-107)
Harmonic Filtering	Standard feature
Reset Button	Local and remote
Output Contacts	Isolated Form A
Certification	CSA certified to US and Canadian standards
Conformally Coated	Standard feature
Warranty	5 years
Mounting	Surface